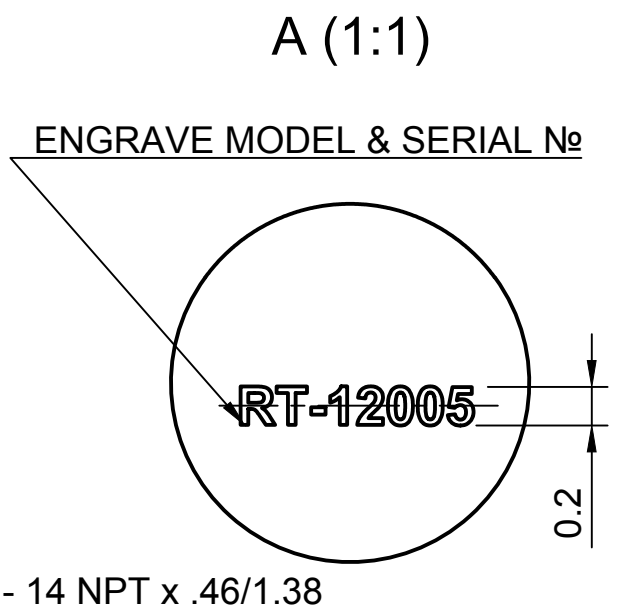
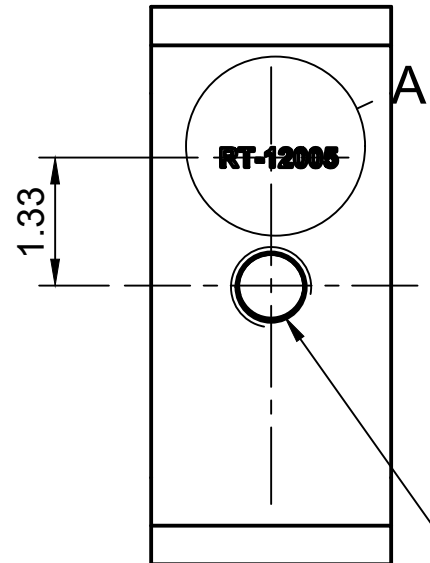
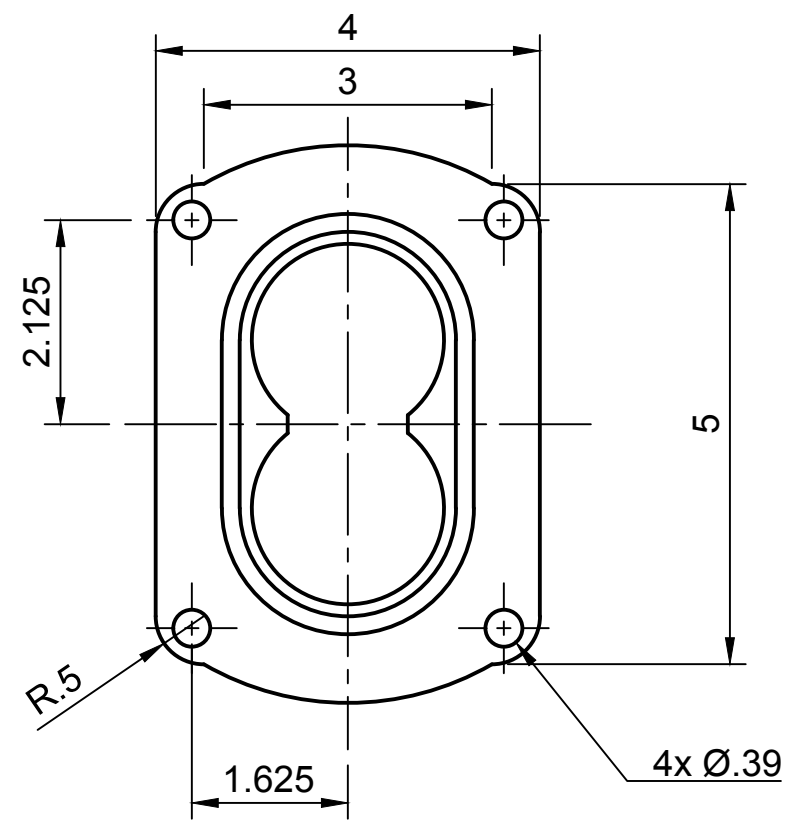
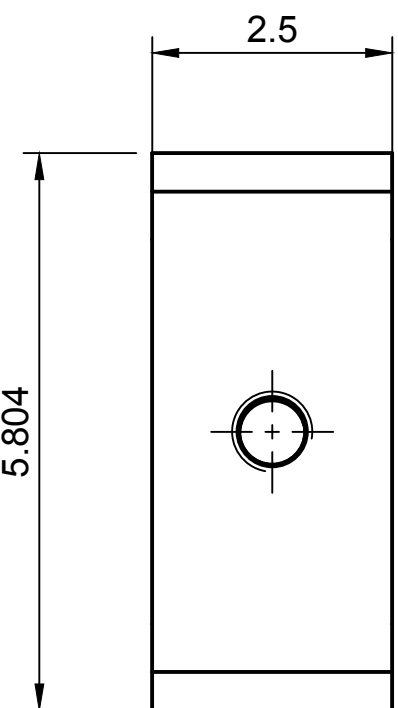
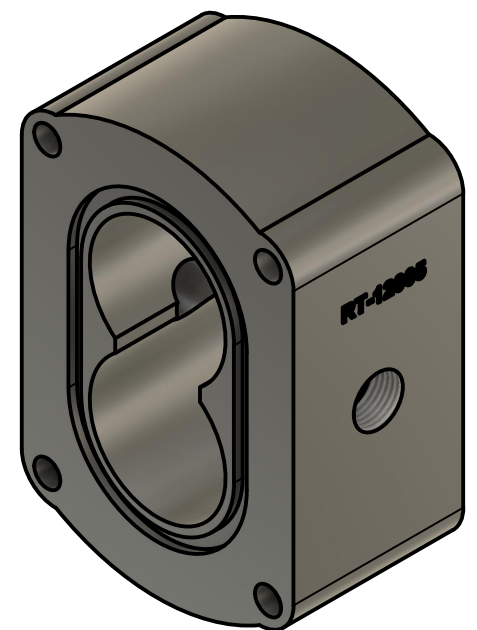
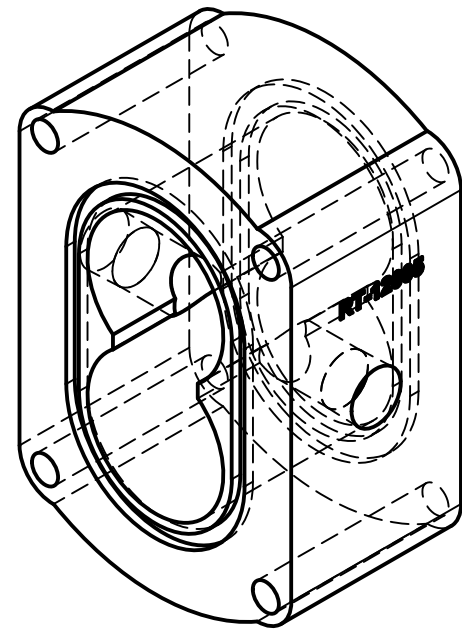
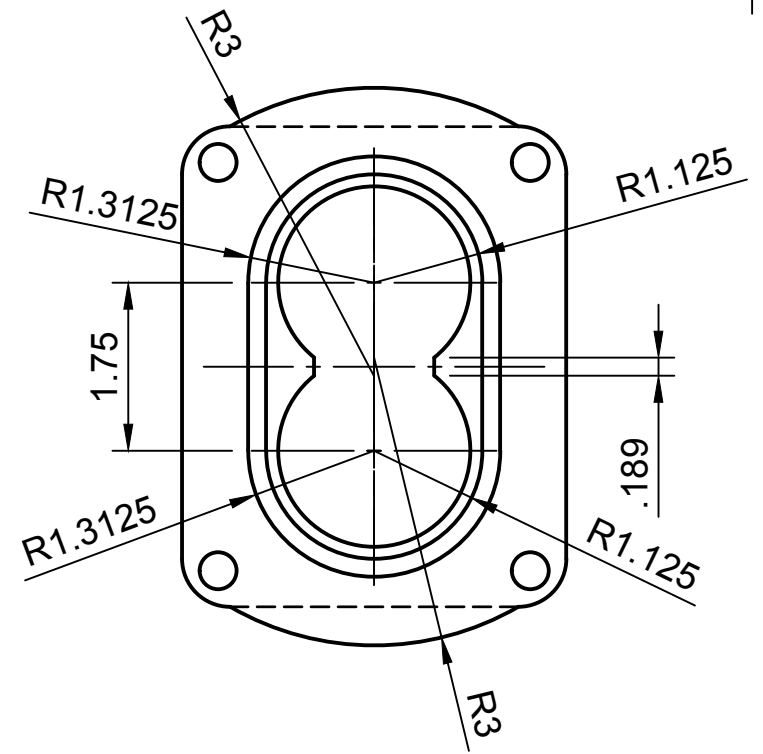
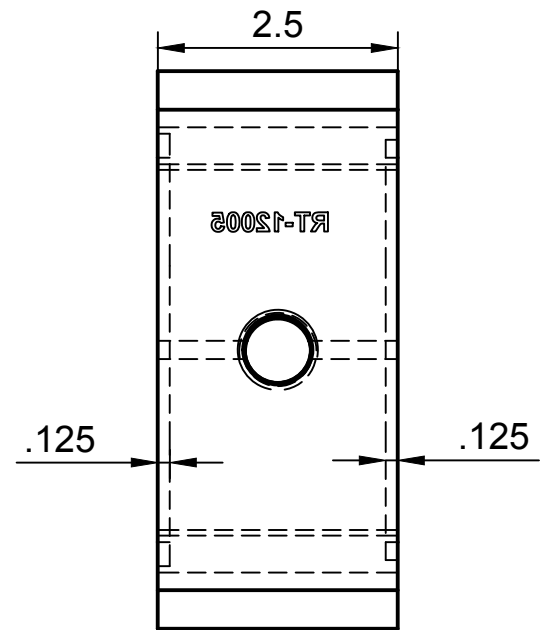


1 2 3 4 5 6 7 8

A  
B  
C  
D  
E  
F



<small>UNLESS OTHERWISE SPECIFIED TOLERANCES TO BE AS SHOWN</small> <small>DECIMAL INCHES .X ±0.010</small> <small>DECIMAL INCHES .XX ±0.005</small> <small>DECIMAL INCHES .XXX ±0.002</small> <small>DECIMAL INCHES .XXXX ±0.0005</small> <small>DECIMAL MM .X ±0.1</small> <small>DECIMAL MM .XX ±0.005</small> <small>DECIMAL MM .XXX ±0.001</small> <small>ANGULAR ±0.5°</small> <small>FRACTION ±</small> <small>SURFACE 125 RMS</small> <small>BREAK ALL SHARP EDGES TO 0.03" X 45°</small> <small>third-angle_3.png</small> <small>THIRD ANGLE PROJECTION</small>	<small>DRAWING &amp; INTELLECTUAL PROPERTY OF</small> <b>RT Pumps Inc.</b> <small>343 York Rd.</small> <small>Warminster, PA 18980</small>		<small>PROJECT NAME:</small> <h2 style="text-align: center;">RT Gear Pump</h2>		
	<small>DRAWN BY:</small> Patrick Lindmeier <small>1/17/23</small>		<small>PART NAME:</small> <h3 style="text-align: center;">Pump Main Gear Housing v4</h3>		
	<small>APPROVED BY:</small> Robert Smith <small>1/24/23</small>		<small>DWG NO.</small> <b>2357-12</b>		
	<small>MATERIAL:</small> Stainless Steel		<small>REV.</small> <b>4</b>	<small>REV. DATE</small> <b>1/17/23</b>	<small>REV. STATUS</small> <b>APPROVED</b>
	<small>FINISH:</small> Polished		<small>SHEET NO.</small> 1/1		
	<small>WEIGHT:</small> 10.0 lbmass				

1 2 3 4 5 6 7 8